



SCS™

Sterilization Container
Systems



Eco Series

Sterilization Container Systems

1/2 Half Size - Küçük Boy



285x280mm
830gr.

- CEK-K-011
- CEK-K-012
- CEK-K-013
- CEK-K-014
- CEK-K-015
- CEK-K-016
- CEK-K-017



285x280mm
670gr.

- CEK-K-001
- CEK-K-002
- CEK-K-003
- CEK-K-004
- CEK-K-005
- CEK-K-006
- CEK-K-007

STANDARD FILTER SYSTEM

<p>Bottom Non Perforated</p>	<p>285x280x100mm 2190gr.</p> <ul style="list-style-type: none"> ■ CEK-10-001 ■ CEK-10-002 ■ CEK-10-003 ■ CEK-10-004 ■ CEK-10-005 ■ CEK-10-006 ■ CEK-10-007 	<p>285x280x135mm 2240gr.</p> <ul style="list-style-type: none"> ■ CEK-13-001 ■ CEK-13-002 ■ CEK-13-003 ■ CEK-13-004 ■ CEK-13-005 ■ CEK-13-006 ■ CEK-13-007 	<p>285x280x150mm 2320gr.</p> <ul style="list-style-type: none"> ■ CEK-15-001 ■ CEK-15-002 ■ CEK-15-003 ■ CEK-15-004 ■ CEK-15-005 ■ CEK-15-006 ■ CEK-15-007 	<p>285x280x200mm 2475gr.</p> <ul style="list-style-type: none"> ■ CEK-20-001 ■ CEK-20-002 ■ CEK-20-003 ■ CEK-20-004 ■ CEK-20-005 ■ CEK-20-006 ■ CEK-20-007 	<p>285x280x260mm 2630gr.</p> <ul style="list-style-type: none"> ■ CEK-26-001 ■ CEK-26-002 ■ CEK-26-003 ■ CEK-26-004 ■ CEK-26-005 ■ CEK-26-006 ■ CEK-26-007
------------------------------	---	---	---	---	---

<p>285x280x100mm 2290gr.</p> <ul style="list-style-type: none"> ■ CEK-10-011 ■ CEK-10-012 ■ CEK-10-013 ■ CEK-10-014 ■ CEK-10-015 ■ CEK-10-016 ■ CEK-10-017 	<p>285x280x135mm 2340gr.</p> <ul style="list-style-type: none"> ■ CEK-13-011 ■ CEK-13-012 ■ CEK-13-013 ■ CEK-13-014 ■ CEK-13-015 ■ CEK-13-016 ■ CEK-13-017 	<p>285x280x150mm 2425gr.</p> <ul style="list-style-type: none"> ■ CEK-15-011 ■ CEK-15-012 ■ CEK-15-013 ■ CEK-15-014 ■ CEK-15-015 ■ CEK-15-016 ■ CEK-15-017 	<p>285x280x200mm 2615gr.</p> <ul style="list-style-type: none"> ■ CEK-20-011 ■ CEK-20-012 ■ CEK-20-013 ■ CEK-20-014 ■ CEK-20-015 ■ CEK-20-016 ■ CEK-20-017 	<p>285x280x260mm 2730gr.</p> <ul style="list-style-type: none"> ■ CEK-26-011 ■ CEK-26-012 ■ CEK-26-013 ■ CEK-26-014 ■ CEK-26-015 ■ CEK-26-016 ■ CEK-26-017 	<p>Bottom Perforated</p>
---	---	---	---	---	--------------------------



Bottom Perforated
Altın Delikli Konteyner

Code	Dimension	Weight
CEK-10-01	285x280x100mm	1460gr.
CEK-13-01	285x280x135mm	1510gr.
CEK-15-01	285x280x150mm	1595gr.
CEK-20-01	285x280x200mm	1785gr.
CEK-26-01	285x280x260mm	1920gr.



Bottom Perforated
Altın Deliksiz Konteyner

Code	Dimension	Weight
CEK-10-00	285x280x100mm	1360gr.
CEK-13-00	285x280x135mm	1410gr.
CEK-15-00	285x280x150mm	1490gr.
CEK-20-00	285x280x200mm	1645gr.
CEK-26-00	285x280x260mm	1800gr.

Eco Series

Sterilization Container Systems

3/4 Middle Size - Orta Boy



465x280mm
1100gr.

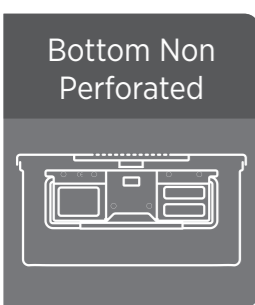
- CEO-K-011
- CEO-K-012
- CEO-K-013
- CEO-K-014
- CEO-K-015
- CEO-K-016
- CEO-K-017



465x280mm
970gr.

- CEO-K-001
- CEO-K-002
- CEO-K-003
- CEO-K-004
- CEO-K-005
- CEO-K-006
- CEO-K-007

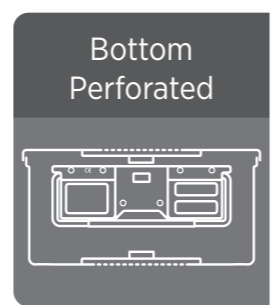
STANDARD FILTER SYSTEM



465x280x100mm 2650gr.	465x280x135mm 2800gr.	465x280x150mm 2900 gr.	465x280x200mm 3050gr.
CEO-10-001	CEO-13-001	CEO-15-001	CEO-20-001
CEO-10-002	CEO-13-002	CEO-15-002	CEO-20-002
CEO-10-003	CEO-13-003	CEO-15-003	CEO-20-003
CEO-10-004	CEO-13-004	CEO-15-004	CEO-20-004
CEO-10-005	CEO-13-005	CEO-15-005	CEO-20-005
CEO-10-006	CEO-13-006	CEO-15-006	CEO-20-006
CEO-10-007	CEO-13-007	CEO-15-007	CEO-20-007



465x280x100mm 2800gr.	465x280x135mm 2950gr.	465x280x150mm 3050gr.	465x280x200mm 3200gr.
CEO-10-011	CEO-13-011	CEO-15-011	CEO-20-011
CEO-10-012	CEO-13-012	CEO-15-012	CEO-20-012
CEO-10-013	CEO-13-013	CEO-15-013	CEO-20-013
CEO-10-014	CEO-13-014	CEO-15-014	CEO-20-014
CEO-10-015	CEO-13-015	CEO-15-015	CEO-20-015
CEO-10-016	CEO-13-016	CEO-15-016	CEO-20-016
CEO-10-017	CEO-13-017	CEO-15-017	CEO-20-017



Bottom Perforated
Altın Delikli Konteyner

Code	Dimension	Weight
CEO-10-01	465x280x100mm	1700gr.
CEO-13-01	465x280x135mm	1850gr.
CEO-15-01	465x280x150mm	1950gr.
CEO-20-01	465x280x200mm	2100gr.

Bottom Perforated
Altın Deliksiz Konteyner

Code	Dimension	Weight
CEO-10-00	465x280x100mm	1550gr.
CEO-13-00	465x280x135mm	1700gr.
CEO-15-00	465x280x150mm	1800gr.
CEO-20-00	465x280x200mm	1950gr.

Eco Series

Sterilization Container Systems

1/1 Full Size - Büyük Boy



www.sterilecontainersys.com



580x280mm 1500gr.	
CEB-K-011	
CEB-K-012	
CEB-K-013	
CEB-K-014	
CEB-K-015	
CEB-K-016	
CEB-K-017	



580x280mm 1190gr.	
CEB-K-001	
CEB-K-002	
CEB-K-003	
CEB-K-004	
CEB-K-005	
CEB-K-006	
CEB-K-007	

STANDARD FILTER SYSTEM

Bottom Non Perforated	580x280x100mm 3300gr.	580x280x135mm 3600gr.	580x280x150mm 3800gr.	580x280x200mm 4160gr.	580x280x260mm 4500gr.
CEB-10-001	CEB-13-001	CEB-15-001	CEB-20-001	CEB-26-001	
CEB-10-002	CEB-13-002	CEB-15-002	CEB-20-002	CEB-26-002	
CEB-10-003	CEB-13-003	CEB-15-003	CEB-20-003	CEB-26-003	
CEB-10-004	CEB-13-004	CEB-15-004	CEB-20-004	CEB-26-004	
CEB-10-005	CEB-13-005	CEB-15-005	CEB-20-005	CEB-26-005	
CEB-10-006	CEB-13-006	CEB-15-006	CEB-20-006	CEB-26-006	
CEB-10-007	CEB-13-007	CEB-15-007	CEB-20-007	CEB-26-007	

580x280x100mm 3300gr.	465x280x135mm 2800gr.	465x280x150mm 2900 gr.	465x280x200mm 3050gr.	465x280x200mm 3050gr.	Bottom Perforated
CEB-10-011	CEB-13-011	CEB-15-011	CEB-20-011	CEB-26-011	
CEB-10-012	CEB-13-012	CEB-15-012	CEB-20-012	CEB-26-012	
CEB-10-013	CEB-13-013	CEB-15-013	CEB-20-013	CEB-26-013	
CEB-10-014	CEB-13-014	CEB-15-014	CEB-20-014	CEB-26-014	
CEB-10-015	CEB-13-015	CEB-15-015	CEB-20-015	CEB-26-015	
CEB-10-016	CEB-13-016	CEB-15-016	CEB-20-016	CEB-26-016	
CEB-10-017	CEB-13-017	CEB-15-017	CEB-20-017	CEB-26-017	



Bottom Perforated Altan Delikli Konteyner

Code	Dimension	Weight
CEB-10-01	580x280x100mm	1900gr.
CEB-13-01	580x280x135mm	2420gr.
CEB-15-01	580x280x150mm	2500gr.
CEB-20-01	580x280x200mm	2760gr.
CEB-26-01	580x280x260mm	3100gr.

Bottom Perforated Altan Deliksiz Konteyner

Code	Dimension	Weight
CEB-10-00	580x280x100mm	1800gr.
CEB-13-00	580x280x135mm	2100gr.
CEB-15-00	580x280x150mm	2300gr.
CEB-20-00	580x280x200mm	2660gr.
CEB-26-00	580x280x260mm	3000gr.

Eco Series

Sterilization Container Systems

1/2 Half Size - Küçük Boy



580x280mm 1500gr.
CEB-K-011
CEB-K-012
CEB-K-013
CEB-K-014
CEB-K-015
CEB-K-016
CEB-K-017



STANDARD FILTER SYSTEM

Bottom Non Perforated	580x280x100mm 3300gr.	580x280x135mm 3600gr.	580x280x150mm 3800gr.	580x280x200mm 4160gr.	580x280x260mm 4500gr.
CEK-B-10-001	CEK-B-13-001	CEK-B-15-001	CEK-B-20-001	CEK-B-26-001	
CEK-B-10-002	CEK-B-13-002	CEK-B-15-002	CEK-B-20-002	CEK-B-26-002	
CEK-B-10-003	CEK-B-13-003	CEK-B-15-003	CEK-B-20-003	CEK-B-26-003	
CEK-B-10-004	CEK-B-13-004	CEK-B-15-004	CEK-B-20-004	CEK-B-26-004	
CEK-B-10-005	CEK-B-13-005	CEK-B-15-005	CEK-B-20-005	CEK-B-26-005	
CEK-B-10-006	CEK-B-13-006	CEK-B-15-006	CEK-B-20-006	CEK-B-26-006	
CEK-B-10-007	CEK-B-13-007	CEK-B-15-007	CEK-B-20-007	CEK-B-26-007	

580x280x100mm 3300gr.	465x280x135mm 2800gr.	465x280x150mm 2900 gr.	465x280x200mm 3050gr.	465x280x200mm 3050gr.	Bottom Perforated
CEK-B-10-011	CEK-B-13-011	CEK-B-15-011	CEK-B-20-011	CEK-B-26-011	
CEK-B-10-012	CEK-B-13-012	CEK-B-15-012	CEK-B-20-012	CEK-B-26-012	
CEK-B-10-013	CEK-B-13-013	CEK-B-15-013	CEK-B-20-013	CEK-B-26-013	
CEK-B-10-014	CEK-B-13-014	CEK-B-15-014	CEK-B-20-014	CEK-B-26-014	
CEK-B-10-015	CEK-B-13-015	CEK-B-15-015	CEK-B-20-015	CEK-B-26-015	
CEK-B-10-016	CEK-B-13-016	CEK-B-15-016	CEK-B-20-016	CEK-B-26-016	
CEK-B-10-017	CEK-B-13-017	CEK-B-15-017	CEK-B-20-017	CEK-B-26-017	



Bottom Perforated Altın Delikli Konteyner		
Code	Dimension	Weight
CEB-10-01	580x280x100mm	1900gr.
CEB-13-01	580x280x135mm	2420gr.
CEB-15-01	580x280x150mm	2500gr.
CEB-20-01	580x280x200mm	2760gr.
CEB-26-01	580x280x260mm	3100gr.

Bottom Perforated Altın Deliksiz Konteyner		
Code	Dimension	Weight
CEB-10-00	580x280x100mm	1800gr.
CEB-13-00	580x280x135mm	2100gr.
CEB-15-00	580x280x150mm	2300gr.
CEB-20-00	580x280x200mm	2660gr.
CEB-26-00	580x280x260mm	3000gr.

Eco Series

Sterilization Container Systems

3/4 Middle Size - Orta Boy



www.sterilecontainersys.com



465x280mm 1180gr.	
CEO-BK-001	
CEO-BK-002	
CEO-BK-003	
CEO-BK-004	
CEO-BK-005	
CEO-BK-006	
CEO-BK-007	



STANDARD FILTER SYSTEM

Bottom Non Perforated

285x280x100mm 2870gr.	
CEO-B-10-001	
CEO-B-10-002	
CEO-B-10-003	
CEO-B-10-004	
CEO-B-10-005	
CEO-B-10-006	
CEO-B-10-007	

465x280x135mm 3500gr.	
CEO-B-13-001	
CEO-B-13-002	
CEO-B-13-003	
CEO-B-13-004	
CEO-B-13-005	
CEO-B-13-006	
CEO-B-13-007	

465x280x150mm 3580gr.	
CEO-B-15-001	
CEO-B-15-002	
CEO-B-15-003	
CEO-B-15-004	
CEO-B-15-005	
CEO-B-15-006	
CEO-B-15-007	

465x280x200mm 3720gr.	
CEO-B-20-001	
CEO-B-20-002	
CEO-B-20-003	
CEO-B-20-004	
CEO-B-20-005	
CEO-B-20-006	
CEO-B-20-007	



465x280x100mm 3500gr.	
CEO-B-10-011	
CEO-B-10-012	
CEO-B-10-013	
CEO-B-10-014	
CEO-B-10-015	
CEO-B-10-016	
CEO-B-10-017	

465x280x135mm 3650gr.	
CEO-B-13-011	
CEO-B-13-012	
CEO-B-13-013	
CEO-B-13-014	
CEO-B-13-015	
CEO-B-13-016	
CEO-B-13-017	

465x280x150mm 3850gr.	
CEO-B-15-011	
CEO-B-15-012	
CEO-B-15-013	
CEO-B-15-014	
CEO-B-15-015	
CEO-B-15-016	
CEO-B-15-017	

465x280x200mm 4020gr.	
CEO-B-20-011	
CEO-B-20-012	
CEO-B-20-013	
CEO-B-20-014	
CEO-B-20-015	
CEO-B-20-016	
CEO-B-20-017	

Bottom Perforated

Bottom Perforated Altan Delikli Konteyner		
Code	Dimension	Weight
CEO-B-10-01	465x280x100mm	2320gr.
CEO-B-13-01	465x280x135mm	2470gr.
CEO-B-15-01	465x280x150mm	2670gr.
CEO-B-20-01	465x280x200mm	2840gr.

Bottom Perforated Altan Deliksiz Konteyner		
Code	Dimension	Weight
CEO-10-00	465x280x100mm	1550gr.
CEO-13-00	465x280x135mm	1700gr.
CEO-15-00	465x280x150mm	1800gr.
CEO-20-00	465x280x200mm	1950gr.

Eco Series

Sterilization Container Systems

1/1 Full Size - Büyük Boy



www.sterilecontainersys.com



580x280mm 1780gr.	
CEB-BK-001	
CEB-BK-002	
CEB-BK-003	
CEB-BK-004	
CEB-BK-005	
CEB-BK-006	
CEB-BK-007	



STANDARD FILTER SYSTEM

Bottom Non Perforated	580x280x100mm 4700gr.	580x280x135mm 5000gr.	580x280x150mm 5200gr.	580x280x200mm 5560gr.	580x280x260mm 5900gr.
CEB-B-10-001	CEB-B-13-001	CEB-B-15-001	CEB-B-20-001	CEB-B-26-001	
CEB-B-10-002	CEB-B-13-002	CEB-B-15-002	CEB-B-20-002	CEB-B-26-002	
CEB-B-10-003	CEB-B-13-003	CEB-B-15-003	CEB-B-20-003	CEB-B-26-003	
CEB-B-10-004	CEB-B-13-004	CEB-B-15-004	CEB-B-20-004	CEB-B-26-004	
CEB-B-10-005	CEB-B-13-005	CEB-B-15-005	CEB-B-20-005	CEB-B-26-005	
CEB-B-10-006	CEB-B-13-006	CEB-B-15-006	CEB-B-20-006	CEB-B-26-006	
CEB-B-10-007	CEB-B-13-007	CEB-B-15-007	CEB-B-20-007	CEB-B-26-007	

580x280x100mm 4850gr.	580x280x135mm 5320gr.	580x280x150mm 5400gr.	580x280x200mm 5660gr.	580x280x260mm 6070gr.	Bottom Perforated
CEB-B-10-011	CEB-B-13-011	CEB-B-15-011	CEB-B-20-011	CEB-B-26-011	
CEB-B-10-012	CEB-B-13-012	CEB-B-15-012	CEB-B-20-012	CEB-B-26-012	
CEB-B-10-013	CEB-B-13-013	CEB-B-15-013	CEB-B-20-013	CEB-B-26-013	
CEB-B-10-014	CEB-B-13-014	CEB-B-15-014	CEB-B-20-014	CEB-B-26-014	
CEB-B-10-015	CEB-B-13-015	CEB-B-15-015	CEB-B-20-015	CEB-B-26-015	
CEB-B-10-016	CEB-B-13-016	CEB-B-15-016	CEB-B-20-016	CEB-B-26-016	
CEB-B-10-017	CEB-B-13-017	CEB-B-15-017	CEB-B-20-017	CEB-B-26-017	



Bottom Perforated Altın Delikli Konteyner		
Code	Dimension	Weight
CEB-B-10-01	580x280x100mm	3070gr.
CEB-B-13-01	580x280x135mm	3540gr.
CEB-B-15-01	580x280x150mm	3620gr.
CEB-B-20-01	580x280x200mm	3880gr.
CEB-B-26-01	580x280x260mm	4290gr.

Bottom Perforated Altın Deliksiz Konteyner		
Code	Dimension	Weight
CEB-10-00	580x280x100mm	1800gr.
CEB-13-00	580x280x135mm	2100gr.
CEB-15-00	580x280x150mm	2300gr.
CEB-20-00	580x280x200mm	2660gr.
CEB-26-00	580x280x260mm	3000gr.

Eco Series

Sterilization Container Systems

1/2 Half Size - Küçük Boy



285x280mm 930gr.	
CKK-BK1-001	
CKK-BK1-002	
CKK-BK1-003	
CKK-BK1-004	
CKK-BK1-005	
CKK-BK1-006	
CKK-BK1-007	



STANDARD FILTER SYSTEM

Bottom Non Perforated	285x280x100mm 2870gr.	285x280x135mm 2940gr.	285x280x150mm 3020gr.	285x280x200mm 3175gr.	285x280x260mm 3300gr.
CEK-B1-10-001	CEK-B1-13-001	CEK-B1-15-001	CEK-B1-20-001	CEK-B1-26-001	
CEK-B1-10-002	CEK-B1-13-002	CEK-B1-15-002	CEK-B1-20-002	CEK-B1-26-002	
CEK-B1-10-003	CEK-B1-13-003	CEK-B1-15-003	CEK-B1-20-003	CEK-B1-26-003	
CEK-B1-10-004	CEK-B1-13-004	CEK-B1-15-004	CEK-B1-20-004	CEK-B1-26-004	
CEK-B1-10-005	CEK-B1-13-005	CEK-B1-15-005	CEK-B1-20-005	CEK-B1-26-005	
CEK-B1-10-006	CEK-B1-13-006	CEK-B1-15-006	CEK-B1-20-006	CEK-B1-26-006	
CEK-B1-10-007	CEK-B1-13-007	CEK-B1-15-007	CEK-B1-20-007	CEK-B1-26-007	

285x280x100mm 2990gr.	285x280x135mm 3040gr.	285x280x150mm 3125gr.	285x280x200mm 3315gr.	285x280x260mm 3400gr.	Bottom Perforated
CEK-B1-10-011	CEK-B1-13-011	CEK-B1-15-011	CEK-B1-20-011	CEK-B1-26-011	
CEK-B1-10-012	CEK-B1-13-012	CEK-B1-15-012	CEK-B1-20-012	CEK-B1-26-012	
CEK-B1-10-013	CEK-B1-13-013	CEK-B1-15-013	CEK-B1-20-013	CEK-B1-26-013	
CEK-B1-10-014	CEK-B1-13-014	CEK-B1-15-014	CEK-B1-20-014	CEK-B1-26-014	
CEK-B1-10-015	CEK-B1-13-015	CEK-B1-15-015	CEK-B1-20-015	CEK-B1-26-015	
CEK-B1-10-016	CEK-B1-13-016	CEK-B1-15-016	CEK-B1-20-016	CEK-B1-26-016	
CEK-B1-10-017	CEK-B1-13-017	CEK-B1-15-017	CEK-B1-20-017	CEK-B1-26-017	



Bottom Perforated Altan Delikli Konteyner

Code	Dimension	Weight
CEK-B1-10-01	285x280x100mm	2060gr.
CEK-B1-13-01	285x280x135mm	2110gr.
CEK-B1-15-01	285x280x150mm	2195gr.
CEK-B1-20-01	285x280x200mm	2385gr.
CEK-B1-26-01	285x280x260mm	2470gr.

Bottom Perforated Altan Deliksiz Konteyner

Code	Dimension	Weight
CEK-10-00	285x280x100mm	1360gr.
CEK-13-00	285x280x135mm	1410gr.
CEK-15-00	285x280x150mm	1490gr.
CEK-20-00	285x280x200mm	1645gr.
CEK-26-00	285x280x260mm	1800gr.

Eco Series

Sterilization Container Systems

3/4 Middle Size - Orta Boy

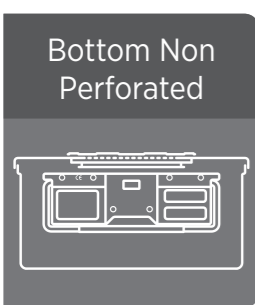


465x280mm
1180gr.

- CEO-BK1-001
- CEO-BK1-002
- CEO-BK1-003
- CEO-BK1-004
- CEO-BK1-005
- CEO-BK1-006
- CEO-BK1-007



STANDARD FILTER SYSTEM



465x280x100mm 3350gr.	465x280x135mm 3350gr.	465x280x150mm 3580gr.	465x280x200mm 3720gr.
CEO-B1-10-001	CEO-B1-13-001	CEO-B1-15-001	CEO-B1-20-001
CEO-B1-10-002	CEO-B1-13-002	CEO-B1-15-002	CEO-B1-20-002
CEO-B1-10-003	CEO-B1-13-003	CEO-B1-15-003	CEO-B1-20-003
CEO-B1-10-004	CEO-B1-13-004	CEO-B1-15-004	CEO-B1-20-004
CEO-B1-10-005	CEO-B1-13-005	CEO-B1-15-005	CEO-B1-20-005
CEO-B1-10-006	CEO-B1-13-006	CEO-B1-15-006	CEO-B1-20-006
CEO-B1-10-007	CEO-B1-13-007	CEO-B1-15-007	CEO-B1-20-007



465x280x100mm 3500gr.	465x280x135mm 3650gr.	465x280x150mm 3850gr.	465x280x200mm 4020gr.
CEO-B1-10-011	CEO-B1-13-011	CEO-B1-15-011	CEO-B1-20-011
CEO-B1-10-012	CEO-B1-13-012	CEO-B1-15-012	CEO-B1-20-012
CEO-B1-10-013	CEO-B1-13-013	CEO-B1-15-013	CEO-B1-20-013
CEO-B1-10-014	CEO-B1-13-014	CEO-B1-15-014	CEO-B1-20-014
CEO-B1-10-015	CEO-B1-13-015	CEO-B1-15-015	CEO-B1-20-015
CEO-B1-10-016	CEO-B1-13-016	CEO-B1-15-016	CEO-B1-20-016
CEO-B1-10-017	CEO-B1-13-017	CEO-B1-15-017	CEO-B1-20-017

Bottom Perforated
Alttan Delikli Konteyner

Code	Dimension	Weight
CEO-B1-10-01	465x280x100mm	2320gr.
CEO-B1-13-01	465x280x135mm	2470gr.
CEO-B1-15-01	465x280x150mm	2670gr.
CEO-B1-20-01	465x280x200mm	2840gr.

Bottom Perforated
Alttan Deliksiz Konteyner

Code	Dimension	Weight
CEO-10-00	465x280x100mm	1550gr.
CEO-13-00	465x280x135mm	1700gr.
CEO-15-00	465x280x150mm	1800gr.
CEO-20-00	465x280x200mm	1950gr.

Eco Series

Sterilization Container Systems

1/1 Full Size - Büyük Boy



www.sterilecontainersys.com



580x280mm 1780gr.
CEB-BK1-001
CEB-BK1-002
CEB-BK1-003
CEB-BK1-004
CEB-BK1-005
CEB-BK1-006
CEB-BK1-007



STANDARD FILTER SYSTEM

Bottom Non Perforated	580x280x100mm 4700gr.	580x280x135mm 5000gr.	580x280x150mm 5200gr.	580x280x200mm 5560gr.	580x280x260mm 5900gr.
CEB-B1-10-001	CEB-B1-13-001	CEB-B1-15-001	CEB-B1-20-001	CEB-B1-26-001	
CEB-B1-10-002	CEB-B1-13-002	CEB-B1-15-002	CEB-B1-20-002	CEB-B1-26-002	
CEB-B1-10-003	CEB-B1-13-003	CEB-B1-15-003	CEB-B1-20-003	CEB-B1-26-003	
CEB-B1-10-004	CEB-B1-13-004	CEB-B1-15-004	CEB-B1-20-004	CEB-B1-26-004	
CEB-B1-10-005	CEB-B1-13-005	CEB-B1-15-005	CEB-B1-20-005	CEB-B1-26-005	
CEB-B1-10-006	CEB-B1-13-006	CEB-B1-15-006	CEB-B1-20-006	CEB-B1-26-006	
CEB-B1-10-007	CEB-B1-13-007	CEB-B1-15-007	CEB-B1-20-007	CEB-B1-26-007	

580x280x100mm 4850gr.	580x280x135mm 5320gr.	580x280x150mm 5400gr.	580x280x200mm 5660gr.	580x280x260mm 6070gr.	Bottom Perforated
CEB-B1-10-011	CEB-B1-13-011	CEB-B1-15-011	CEB-B1-20-011	CEB-B1-26-011	
CEB-B1-10-012	CEB-B1-13-012	CEB-B1-15-012	CEB-B1-20-012	CEB-B1-26-012	
CEB-B1-10-013	CEB-B1-13-013	CEB-B1-15-013	CEB-B1-20-013	CEB-B1-26-013	
CEB-B1-10-014	CEB-B1-13-014	CEB-B1-15-014	CEB-B1-20-014	CEB-B1-26-014	
CEB-B1-10-015	CEB-B1-13-015	CEB-B1-15-015	CEB-B1-20-015	CEB-B1-26-015	
CEB-B1-10-016	CEB-B1-13-016	CEB-B1-15-016	CEB-B1-20-016	CEB-B1-26-016	
CEB-B1-10-017	CEB-B1-13-017	CEB-B1-15-017	CEB-B1-20-017	CEB-B1-26-017	



Bottom Perforated Altan Delikli Konteyner

Code	Dimension	Weight
CEB-B1-10-01	580x280x100mm	3070gr.
CEB-B1-13-01	580x280x135mm	3540gr.
CEB-B1-15-01	580x280x150mm	3620gr.
CEB-B1-20-01	580x280x200mm	3880gr.
CEB-B1-26-01	580x280x260mm	4290gr.

Bottom Perforated Altan Deliksiz Konteyner

Code	Dimension	Weight
CEB-10-00	580x280x100mm	1800gr.
CEB-13-00	580x280x135mm	2100gr.
CEB-15-00	580x280x150mm	2300gr.
CEB-20-00	580x280x200mm	2660gr.
CEB-26-00	580x280x260mm	3000gr.



CEB-10-001
Pack of 100
For Full, Middle and Half Size



CEB-20-001
Pack of 100
For Mini/Dental Containers

COLOUR LABEL
Coloured identification labels Printed to your specifications
(Maximum 16 letters)

- CER-10-001 Gynaecology
- CER-10-002 Spinal
- CER-10-003 E.N.T
- CER-10-004 General
- CER-10-005 Neurosurgery
- CER-10-006 Micro
- CER-10-007 Cardiovascular



CPM-10-010
Pack of 100
Plastic Security Seal

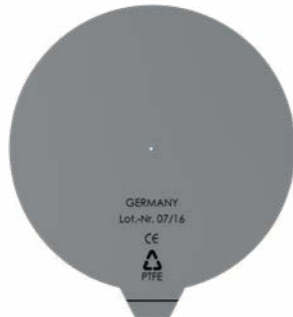
Silicone Stick Holder



CTF-01 20x250 mm
CTF-02 25x250 mm
CTF-03 40x250 mm



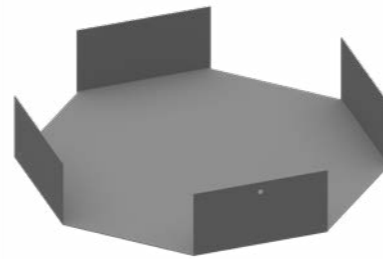
CFK-10-001
Pack of 100-Paper Filter
For Full, Middle and Half Size Containers



PTFE-001
Teflon Filter

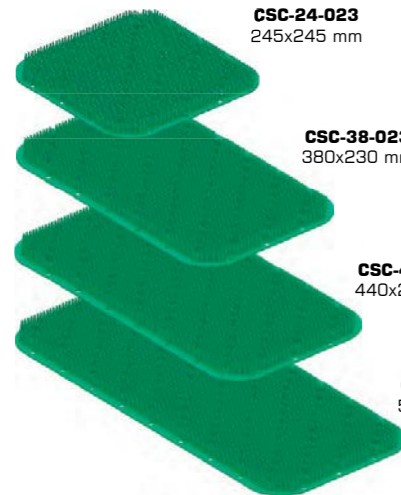


CFB-10-001
Single Textile Filter
For Full, Middle and Half Size Containers



CFK-01
Round Filter Base

Silicone Mats



CSC-24-023
245x245 mm

CSC-38-023
380x230 mm

CSC-44-023
440x230 mm

CSC-52-023
520x230 mm



CFT-18-001
Filter Holder
For Full, Middle and Half Size Containers



CM-01
50x20x12 mm



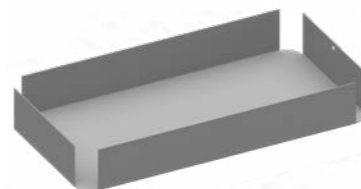
CM-02
50x20x20 mm



CFK-20-001
Pack of 100-Paper Filter
For Mini/Dental Containers

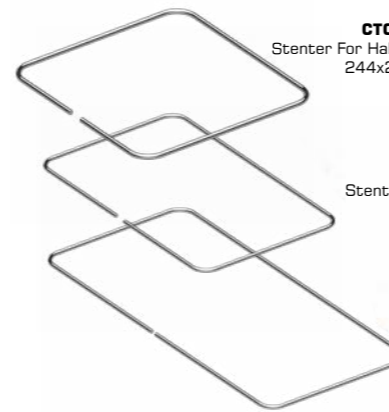


CFB-20-001
Single Textile
For Mini/Dental Containers



CFK-02
Dental and Mini Filter Base

Stenter



CTC-001
Stenter For Half Size Containers
244x255 mm

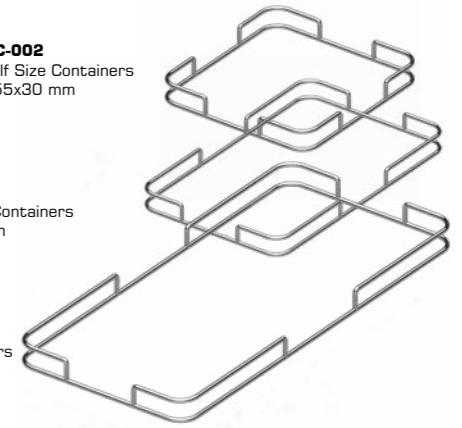
CTC-011
Stenter For Middle Size Containers
405x255 mm

CTC-110
Stenter For Full Size Containers
545x255 mm

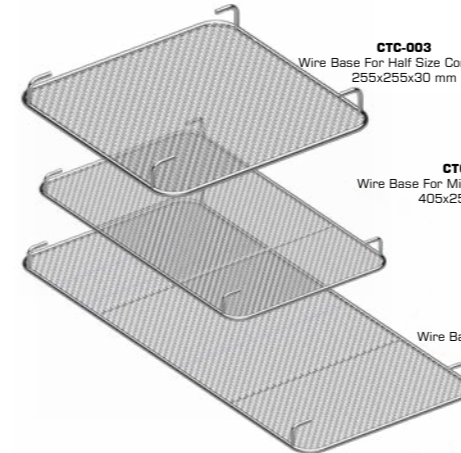
CTC-002
Stenter For Half Size Containers
244x255x30 mm

CTC-012
Stenter For Middle Size Containers
405x255x30 mm

CTC-111
Stenter For Full Size Containers
545x255x30 mm



Wire Base



CTC-003
Wire Base For Half Size Containers
255x255x30 mm

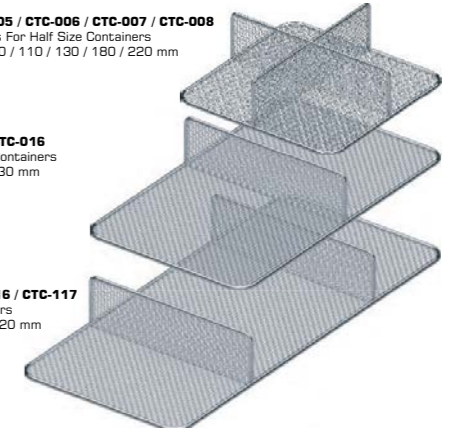
CTC-013
Wire Base For Middle Size Containers
405x255x30 mm

CTC-112
Wire Base For Full Size Containers
545x255x30 mm

CTC-004 / CTC-005 / CTC-006 / CTC-007 / CTC-008
Dividers For Half Size Containers
250x245x80 / 110 / 130 / 180 / 220 mm

CTC-014 / CTC-015 / CTC-016
Dividers For Middle Size Containers
400x250x80 / 110 / 130 mm

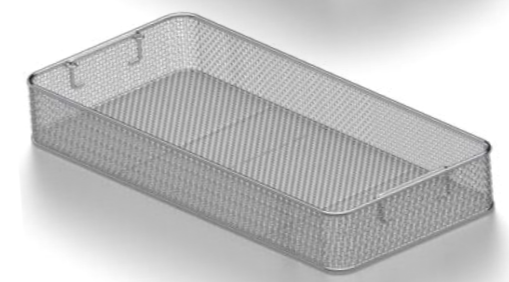
CTC-113 / CTC-114 / CTC-115 / CTC-116 / CTC-117
Dividers For Full Size Containers
540x250x80 / 110 / 130 / 180 / 220 mm



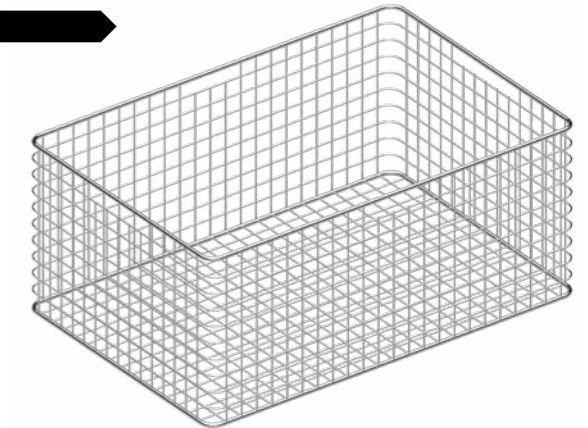
For Large Size



CTB-001 470x337x50 mm
CTB-002 470x337x100 mm
CTB-003 470x337x150 mm



CTB-010 533x337x50 mm
CTB-012 533x337x100 mm
CTB-013 533x337x150 mm



CTB-020 605x405x100 mm
CTB-021 605x405x150 mm
CTB-022 605x405x200 mm
CTB-023 605x405x250 mm
CTB-024 605x405x300 mm



Tel: +90 362 502 19 92
19 Mayıs Sanayi Sitesi 71. Sk. No: 40 Tekkek y / SAMSUN / T RKİYE
info@sterilecontainersys.com support@sterilecontainersys.com
www.sterilecontainersys.com